



The Timken Company

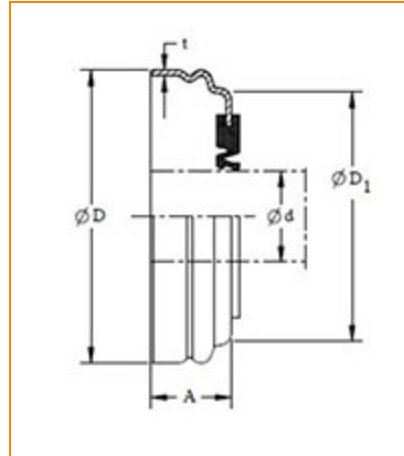
4500 Mt Pleasant St. NW

N. Canton, OH 44720

Phone: (234) 262-3000

E-Mail: CustomerCAD@timken.com • Web site: www.timken.com

Timken Part Number EOS-U208-24, Corrosion Resistant - Stainless Steel End Covers



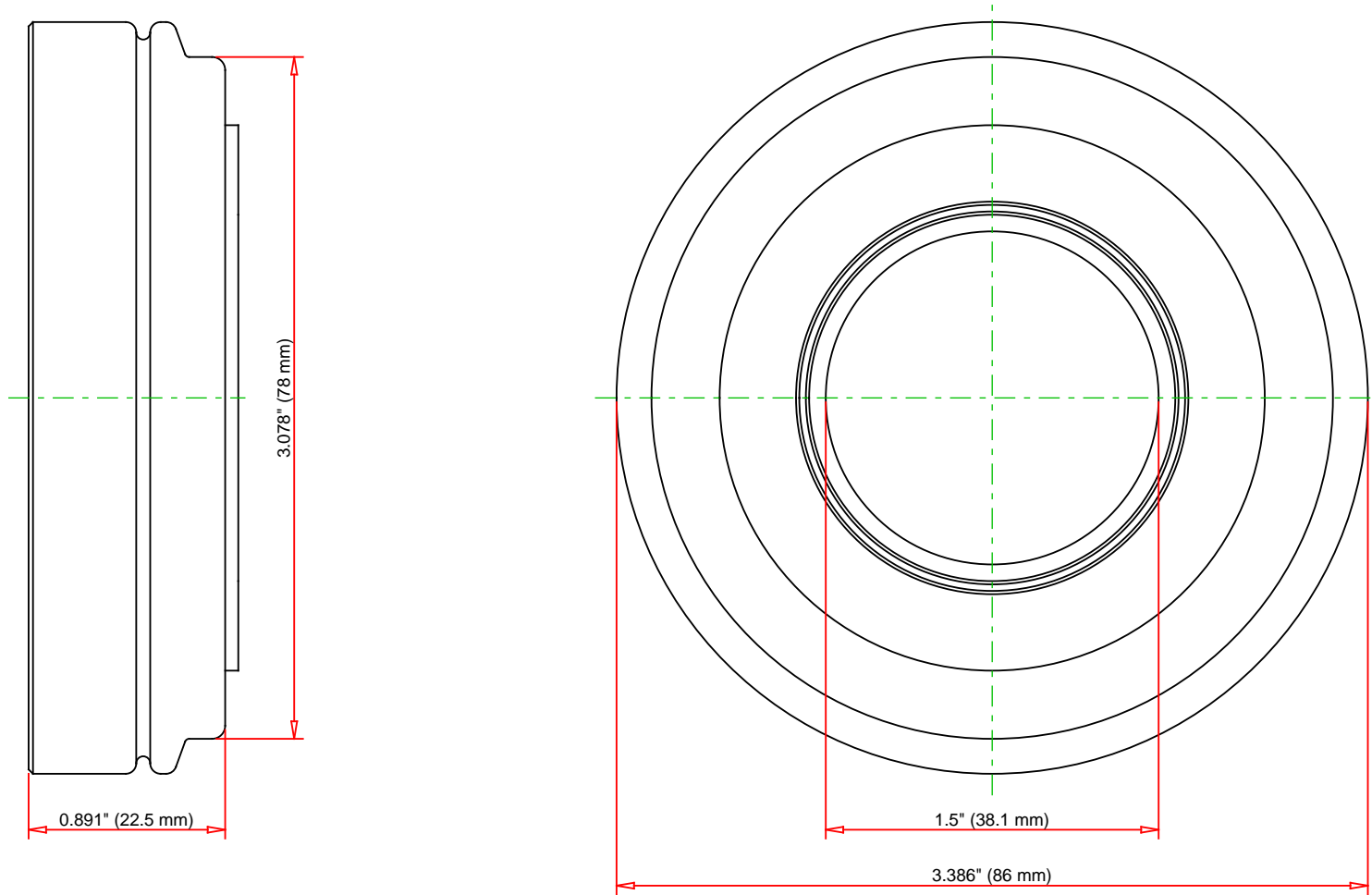
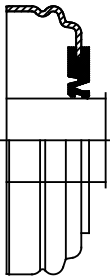
[Specifications](#) | [Dimensions](#)

Specifications

Type	Open
------	------

Dimensions

Cover Diameter D	86 mm 3 25/64 in
Cover Length A	22.5 mm 57/64 in
Diameter D1	78 mm 3 5/64 in
Thickness t	1 mm 0.039 in



Note: Section View not to Scale

Thickness	0.039" (1 mm)

TIMKEN

THE TIMKEN COMPANY
NORTH CANTON, OHIO USA

EOS-U208-24
Corrosion Resistant - Stainless Steel End
Covers

Every reasonable effort has been made to ensure the accuracy of the information contained in this writing, but no liability is accepted for errors, omissions or for any other reason.

FOR DISCUSSION ONLY